

Product Information

FIFTMIMHUMPB - Mini Hump Back Bridge

BS EN 1176 - Designed to British & European Standards

MATERIALS

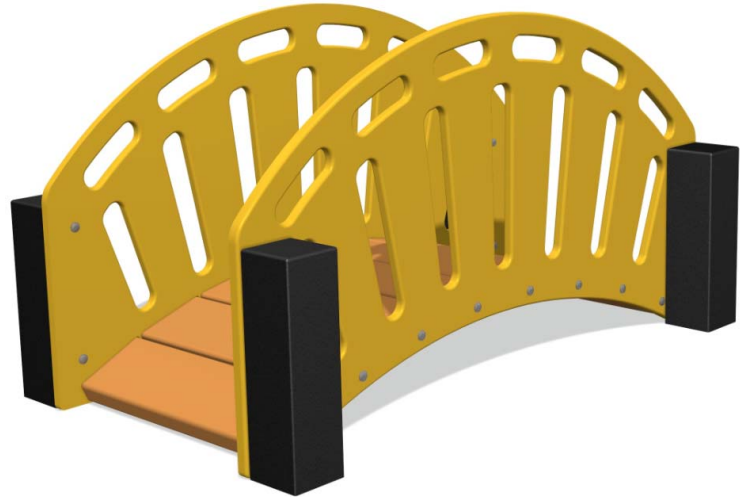
Panel - Single Colour High Density Polyethylene (HDPE)

LumbeRock Treads - Recycled HDPE milk bottles with wood grain finish

Recycled Posts - Recycled plastic with a texture finish

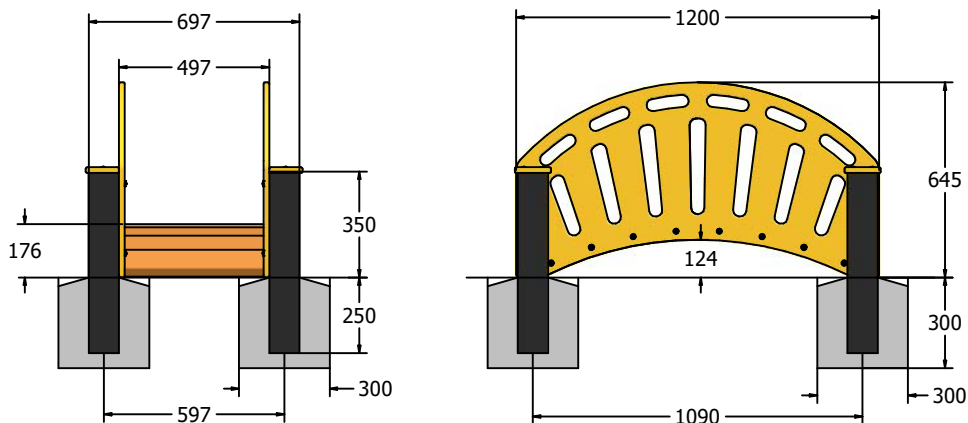
SUPPLY METHOD

Balance Beam - pre-assembled for easy installation



LumbeRock Treads

DIMENSIONS



TECHNICAL

Age Range: 4+ Years
Largest Part: Bridge Assembly - 1200 x 697 x 945mm
Total Weight: 45kg Approx.
Surfacing: N/A

IMPORTANT: you must specify the colour option you require at the time of order if it is different from the colour listed/shown above, requirements are subject to availability at the time of order