

# Product Information

## FIFTMINHUMPB - Mini Hump Back Bridge

BS EN 1176 - Designed to British & European Standards

### MATERIALS

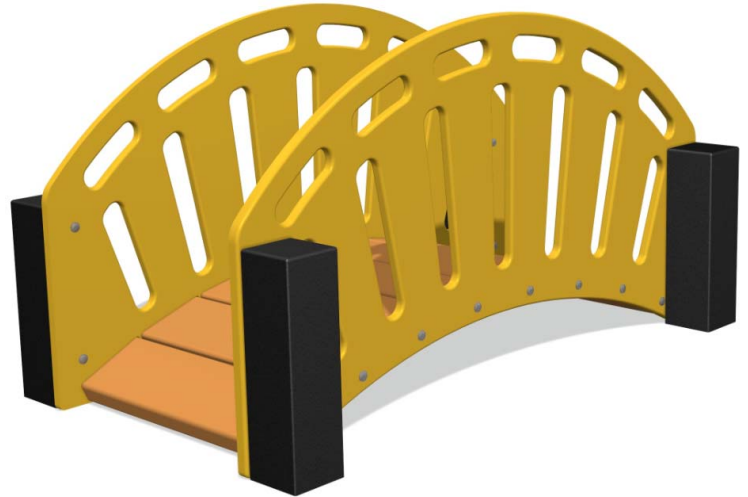
**Panel** - Single Colour High Density Polyethylene (HDPE)

**LumbeRock Treads** - Recycled HDPE milk bottles with wood grain finish

**Recycled Posts** - Recycled plastic with a texture finish

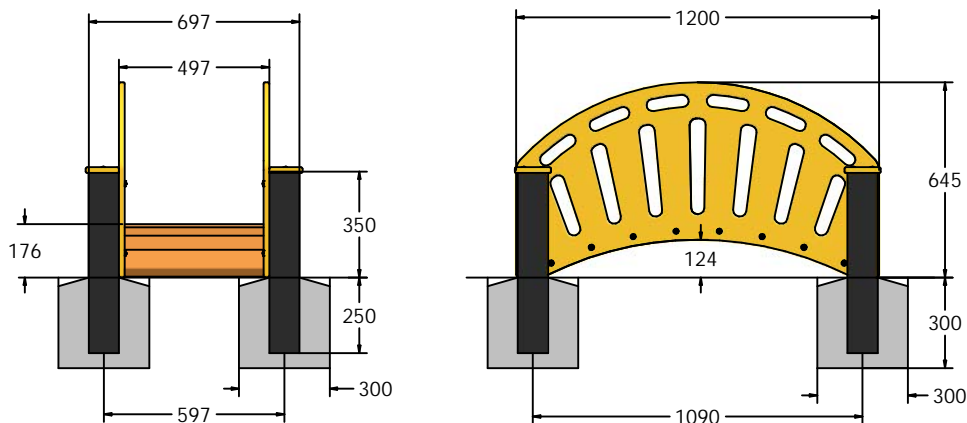
### SUPPLY METHOD

**Balance Beam** - pre-assembled for easy installation



LumbeRock Treads

### DIMENSIONS



### TECHNICAL

**Age Range:** 4+ Years  
**Largest Part:** Bridge Assembly - 1200 x 697 x 945mm  
**Total Weight:** 45kg Approx.  
**Surfacing:** N/A

IMPORTANT: you must specify the colour option you require at the time of order if it is different from the colour listed/shown above, requirements are subject to availability at the time of order