

Product Information

FIFTCURSTEPST - Curved Stepping Stones

BS EN 1176 - Designed to British & European Standards

MATERIALS

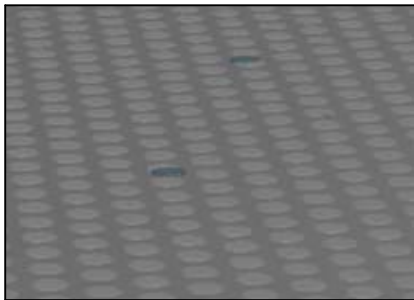
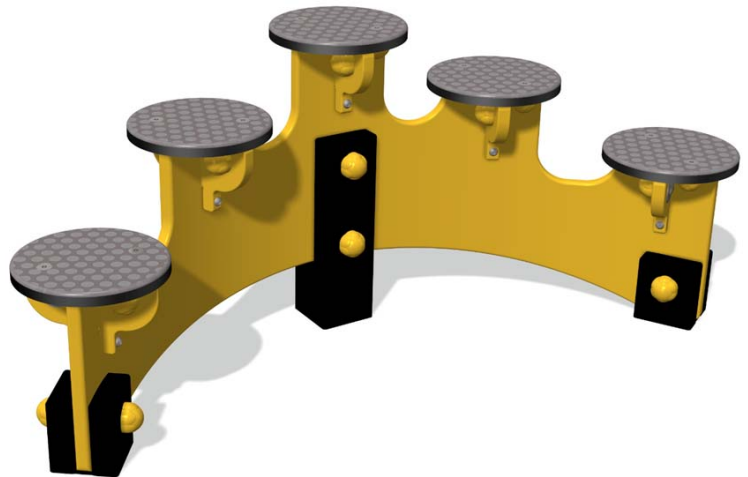
Panel - Single Colour High Density Polyethylene (HDPE)

Polydek - HDPE with a rubber button grip top surface

Recycled Posts - Recycled plastic with a texture finish

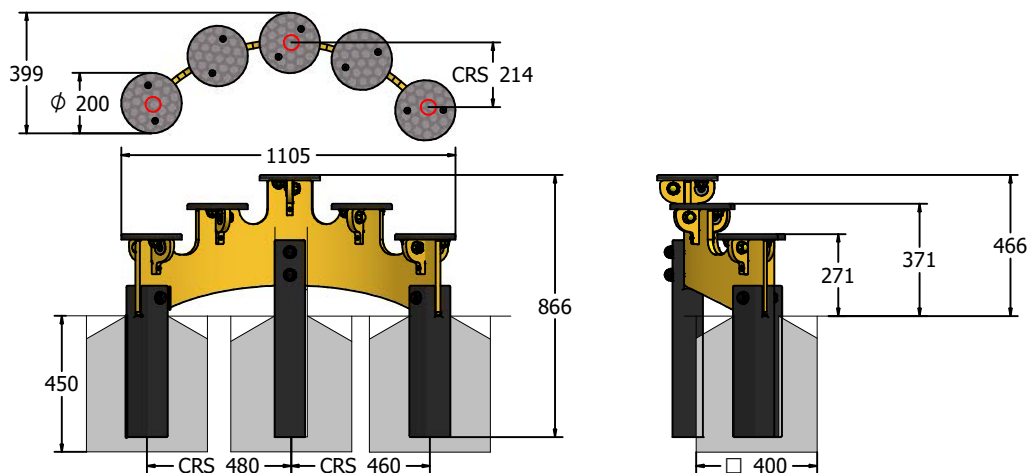
SUPPLY METHOD

Balance Beam - Pre-assembled for easy installation



Anti-Slip Polydek Tread

DIMENSIONS



TECHNICAL

Age Range: 4+ Years
Largest Part: Stepping Stone Assembly - 1105 x 399 x 866mm
Total Weight: 24kg Approx.
Surfacing: N/A

IMPORTANT: you must specify the colour option you require at the time of order if it is different from the colour listed/shown above, requirements are subject to availability at the time of order