

Product Information

FIEXPCARR - Steam Express Train Carriage

BS EN 1176 - Designed to British & European Standards

MATERIALS

Panels - Two Colour High Density Polyethylene (HDPE)

Recycled Profile - Recycled plastic with textured finish

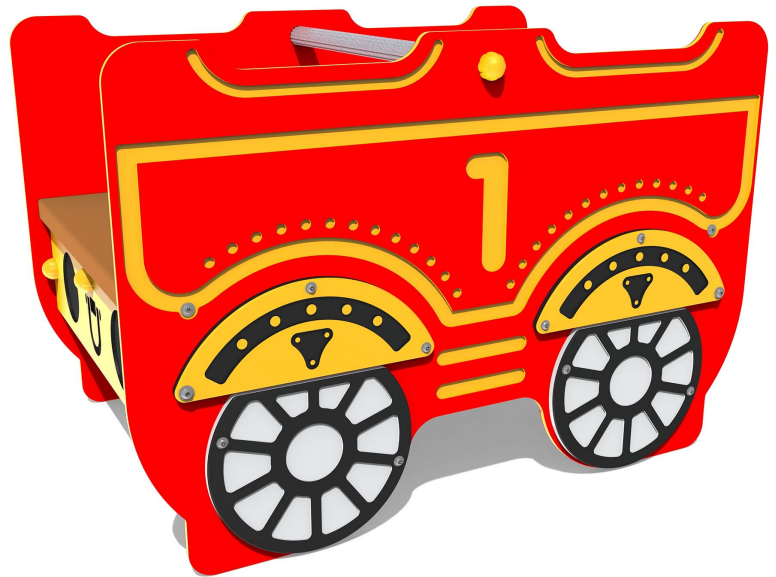
LumbeRock Benches - Recycled HDPE milk bottles with a wood grain finish

SUPPLY METHOD

Carriage - Fully assembled

FEATURES

 **SOCIAL** - Carriage seating



FIEXPCARR1 - Carriage 1

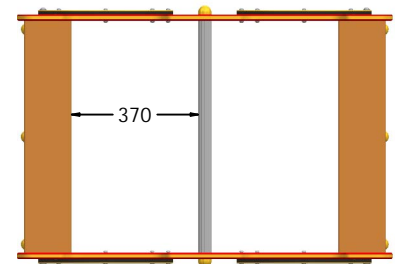
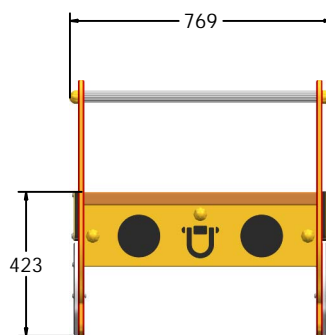
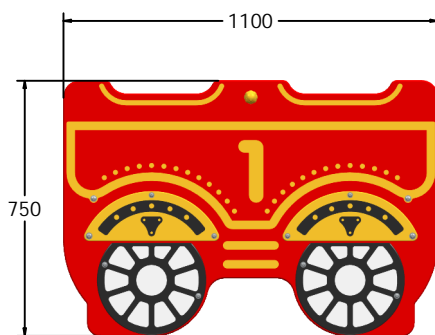


FIEXPCARR2 - Carriage 2



FIEXPCARR3 - Carriage 3

DIMENSIONS



TECHNICAL

Age Range: 2+ Years
Largest Part: FIEXPCARR1 - 1100 x 750 x 769mm
Total Weight: FIEXPCARR1 - 48kg
Surfacing: N/A

IMPORTANT: you must specify the colour option you require at the time of order if it is different from the colour listed/shown above, requirements are subject to availability at the time of order