

# Product Information

## FICRICKET - Cricket Wicket Panel

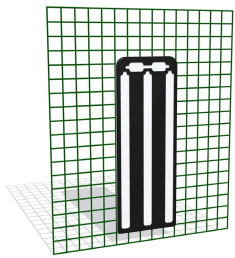
BS EN 1176 - Designed to British & European Standards

### MATERIALS

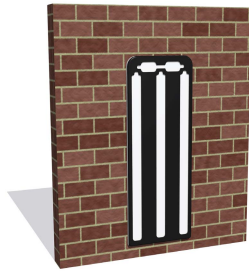
Panel - Two Colour High Density Polyethylene (HDPE)

### SUPPLY METHOD

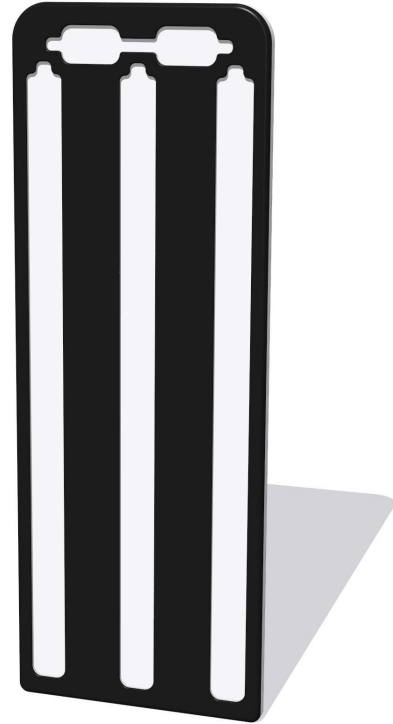
Panel - Singular panel



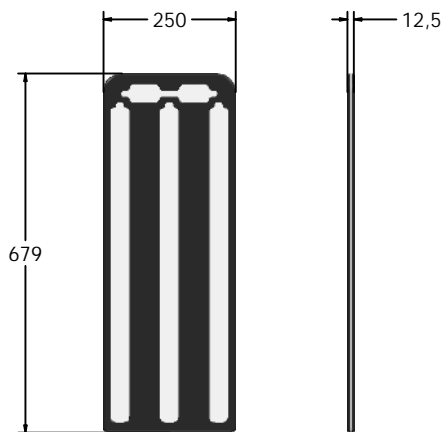
Panel can be wall or mesh mounted



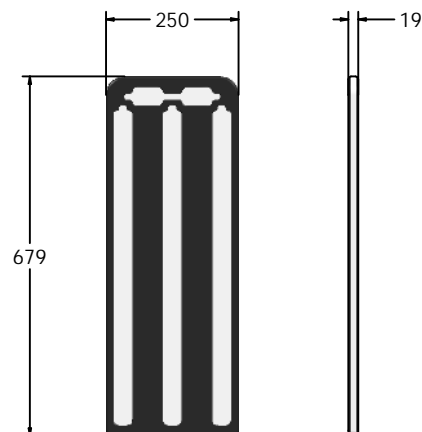
Supplied un-drilled and without fixings



### DIMENSIONS



FICRICKET12



FICRICKET19

### TECHNICAL

**Age Range:** 2+ Years  
**Largest Part:** FICRICKET12 - 679 x 250 x 12.5mm  
**Total Weight:** FICRICKET12 - 1.8kg  
**Surfacing:** N/A

**Age Range:** 2+ Years  
**Largest Part:** FICRICKET19 - 679 x 250 x 19mm  
**Total Weight:** FICRICKET19 - 2.8kg  
**Surfacing:** N/A

IMPORTANT: you must specify the colour option you require at the time of order if it is different from the colour listed/shown above, requirements are subject to availability at the time of order