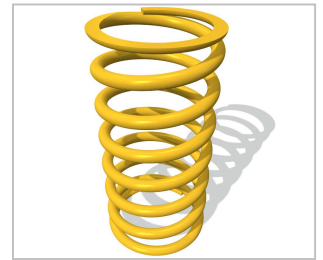
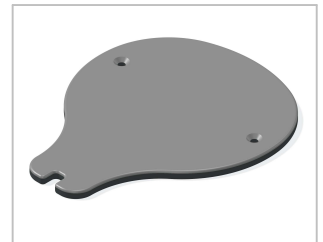


# Product Information

## FS1014 - Sit-On Diplodocus

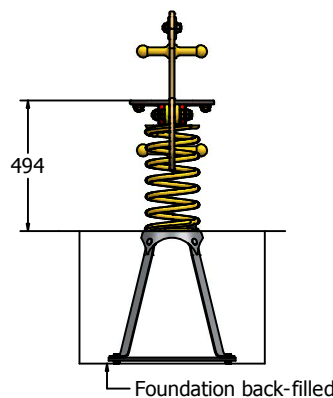
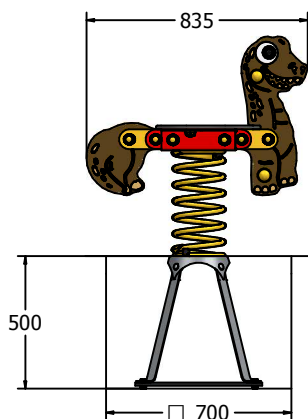


High Quality Steel Spring



Smooth Polydek Grip Seat

Designed to British & European  
Standard BS EN 1176



Supply Method

Diplodocus Assembly  
Assembled (Seat loose) with  
Fixing Pack & Instructions

400mm Spring Assembly  
Fully Assembled

Ground Anchor  
Loose Components with Fixing Pack  
& Instructions

Age Range:	2+ Years
Largest Part:	Diplodocus Assembly
Total Weight:	29Kg
FFH (Free Fall Height)	0.494m

Inspection Schedule	Inspection Frequency
Visual	Every Month
Functionality	Every Month
Comprehensive	Every 6 Months

Material: **Design Panel** - High Density Polyethylene (HDPE) with orange peel texture finish  
**Spring & Brackets** - Powder coated steel  
**Ground Anchor** - Galvanised steel

Colour Choices: **Design Panel** - Broad selection available, visit the website below for further details